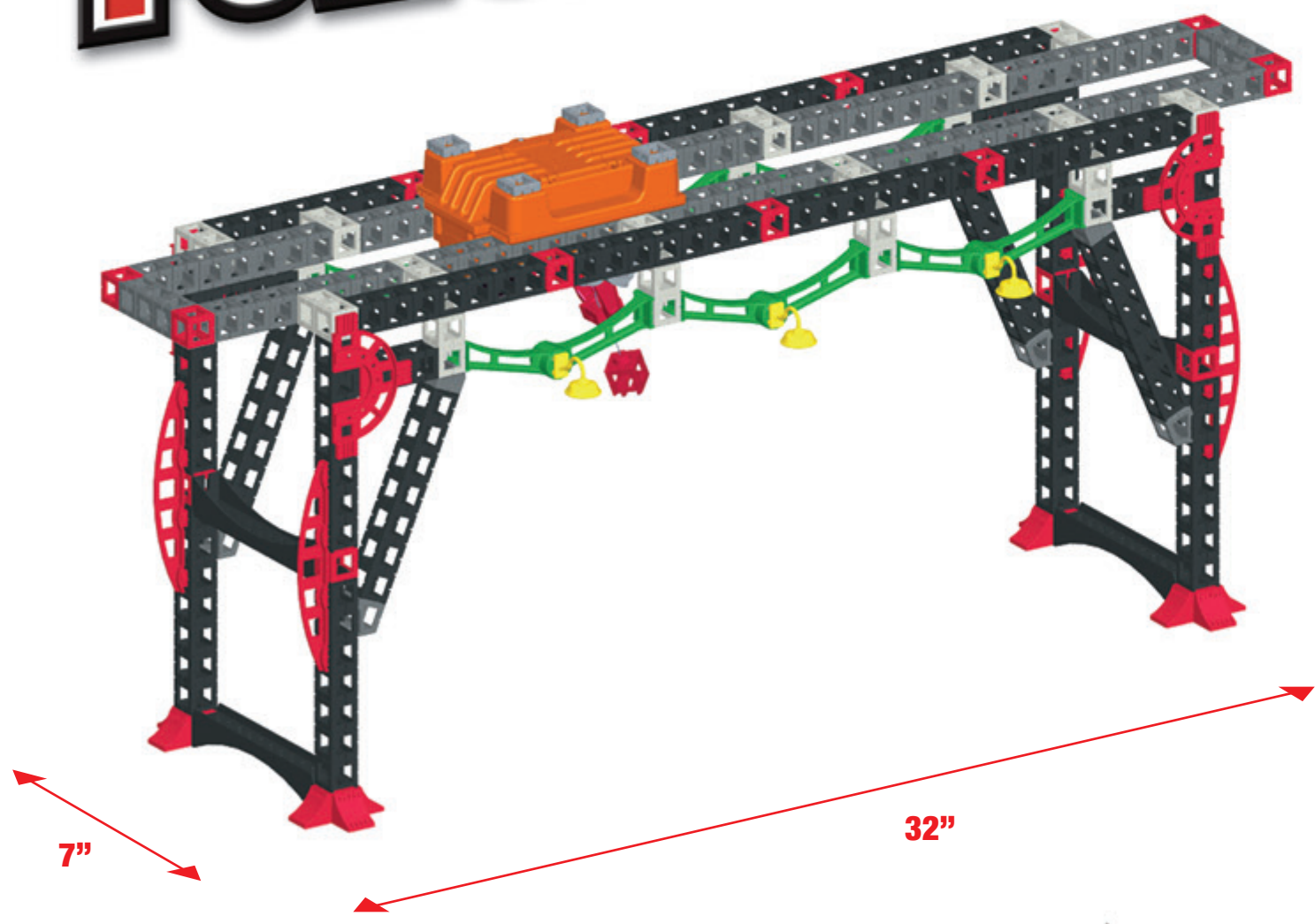
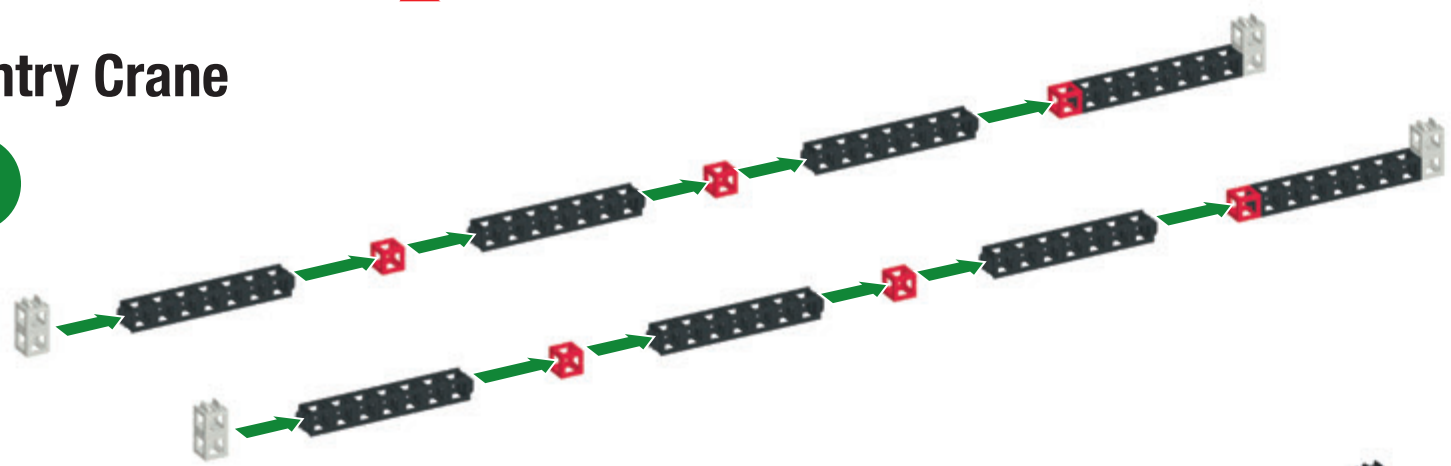


# X2 Dual Drive Power Unit

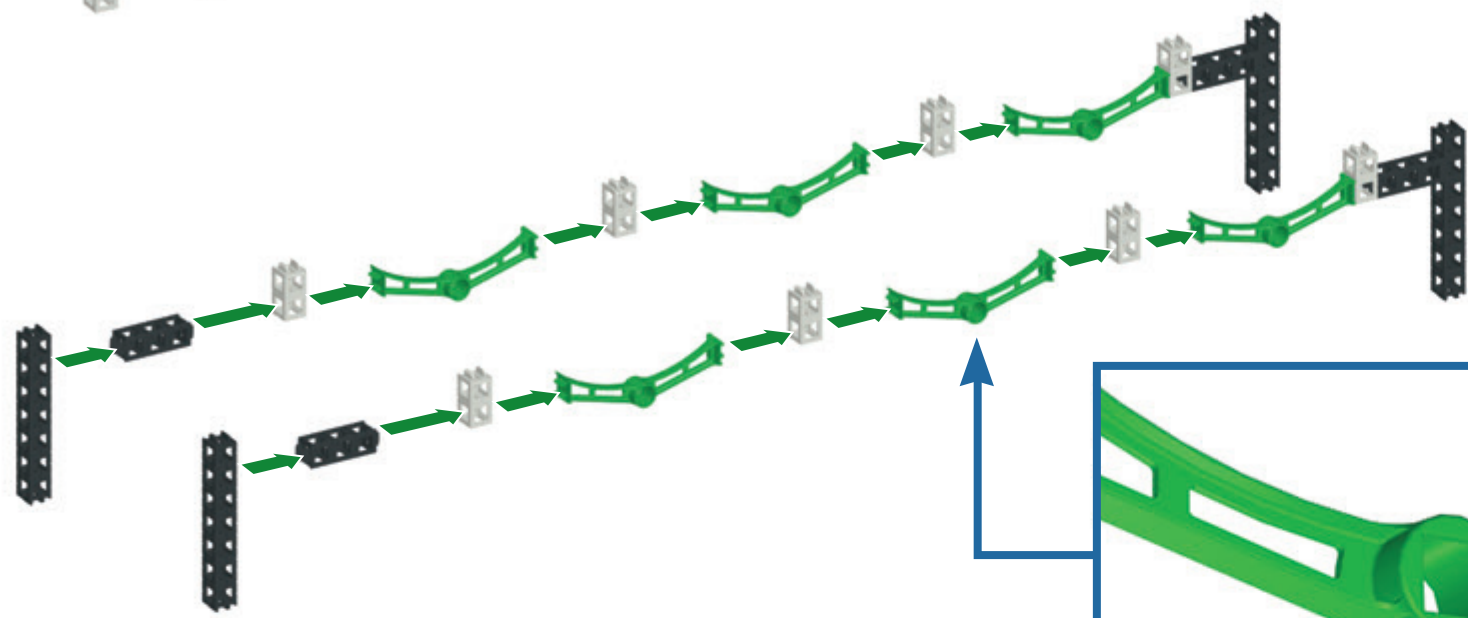


Gantry Crane

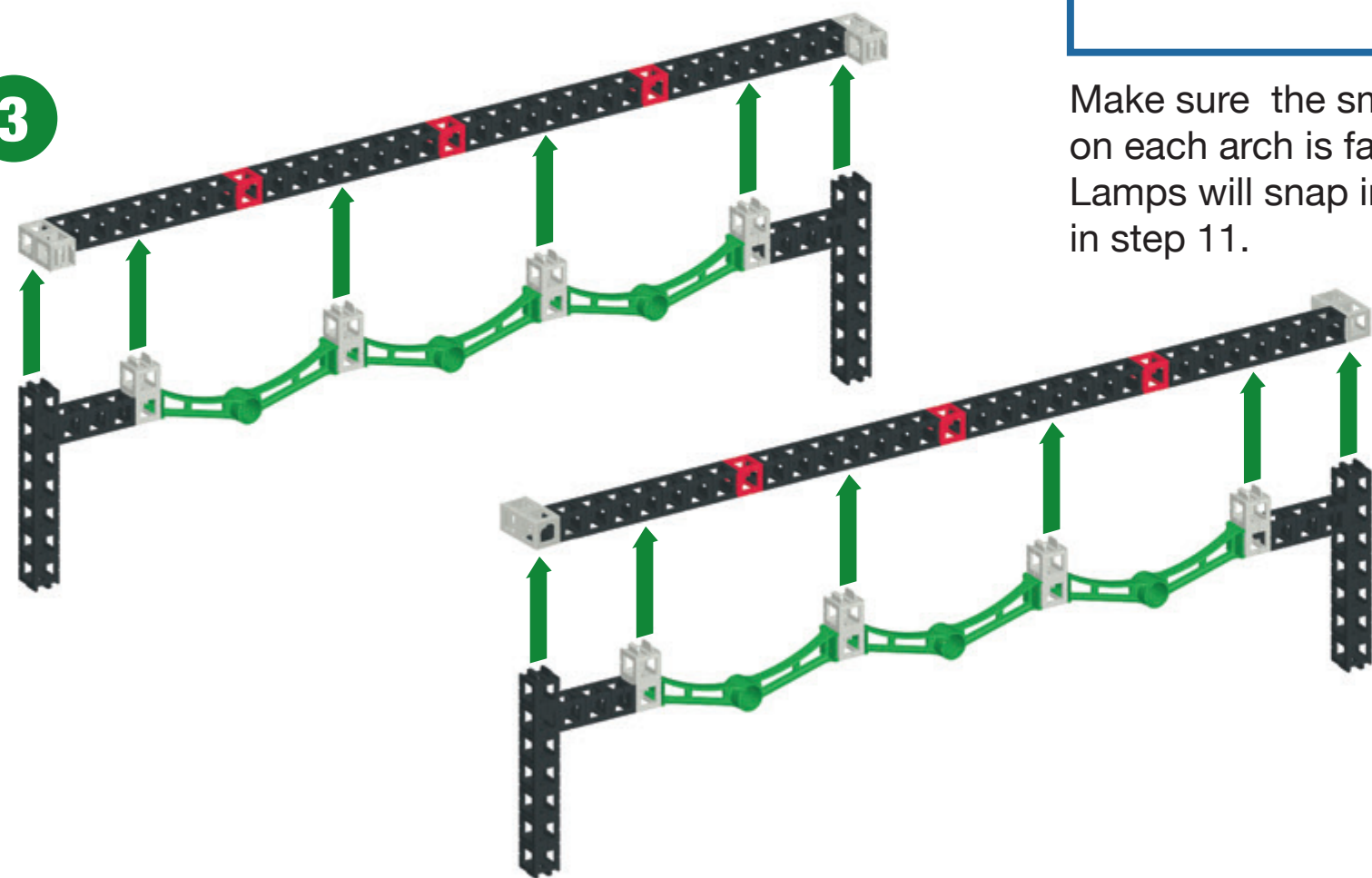
1



2

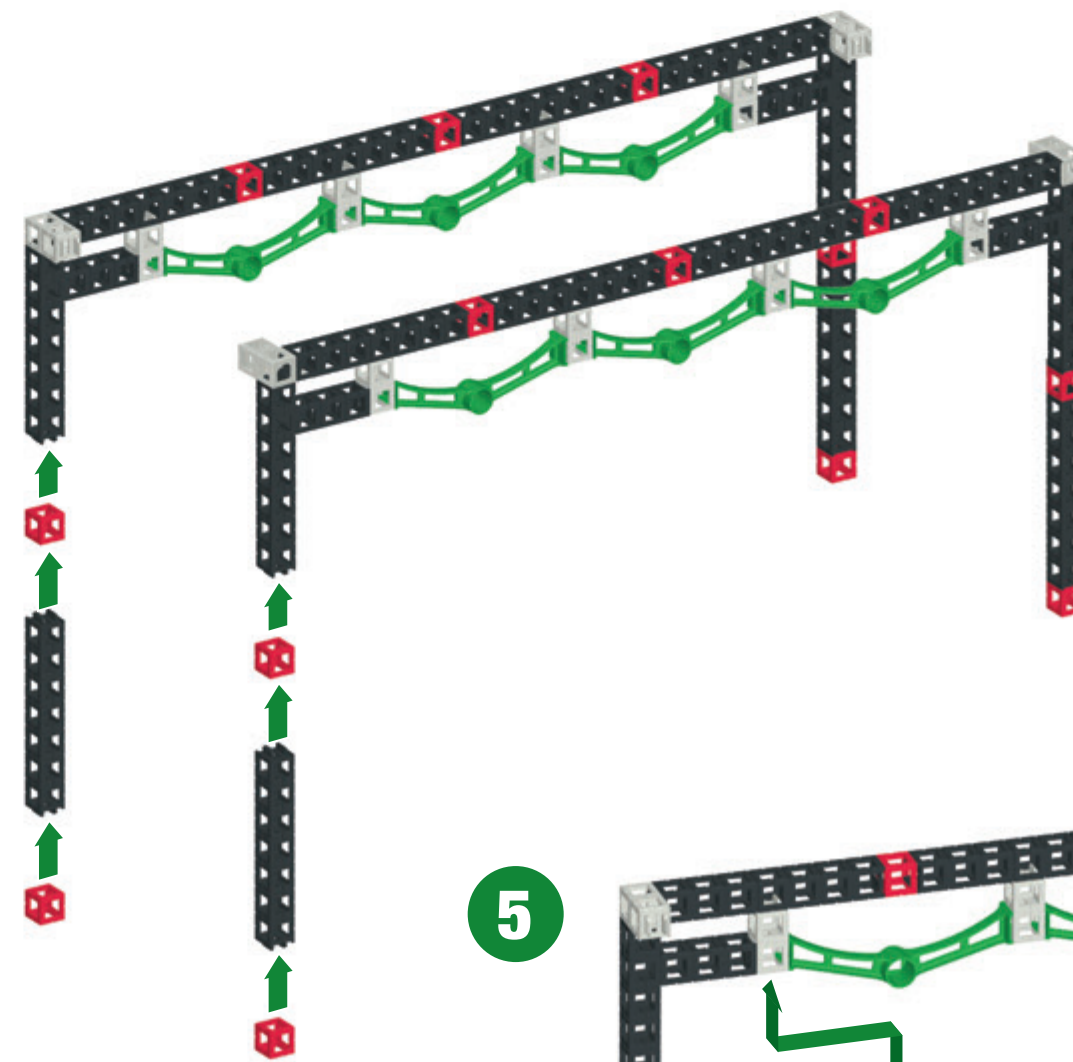


3

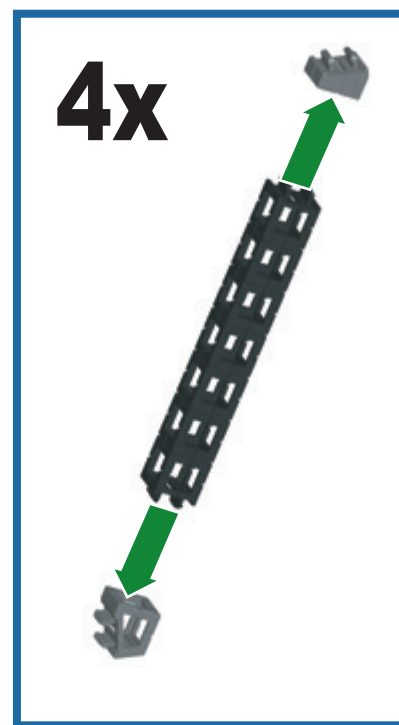
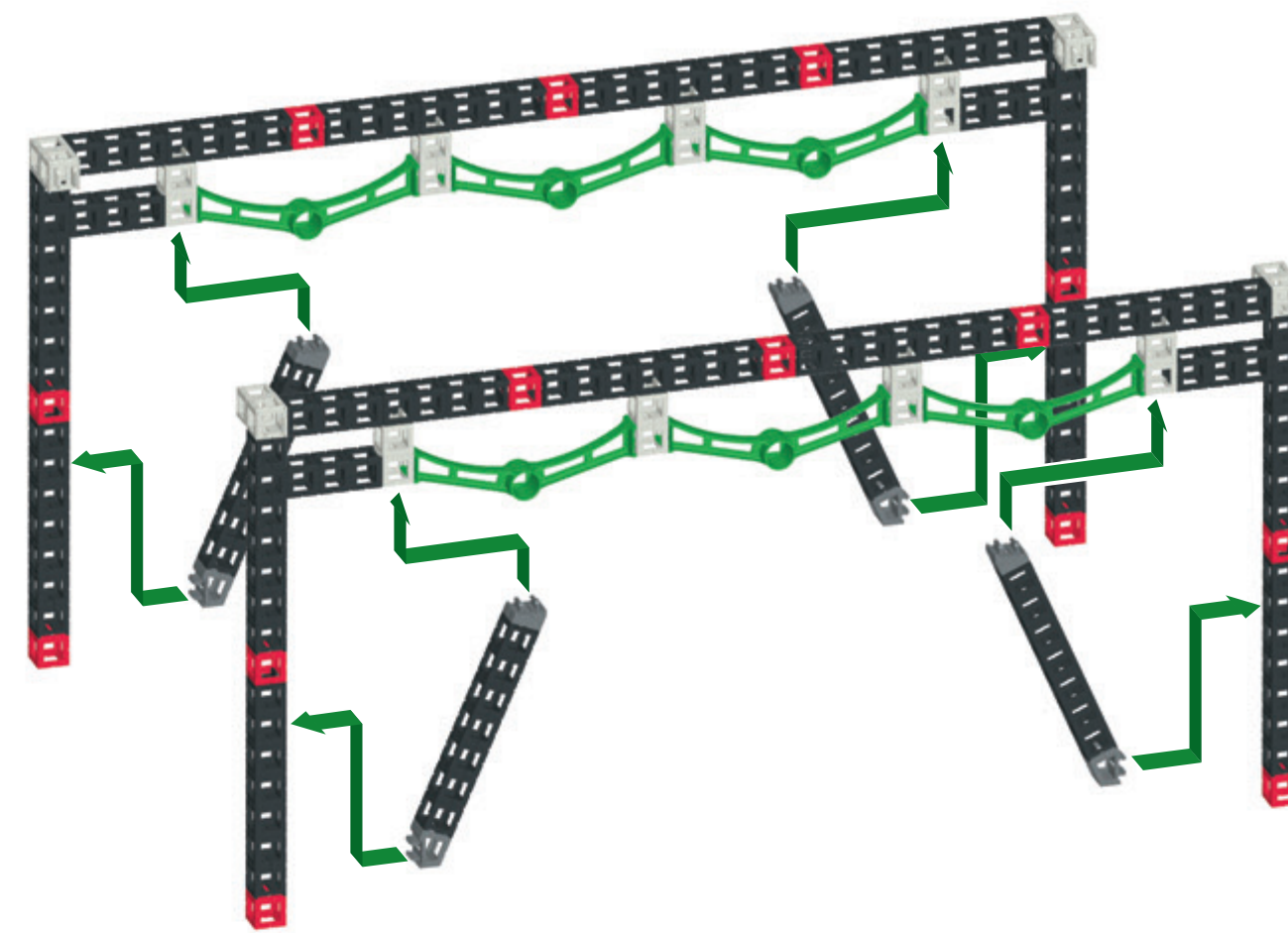


Make sure the smaller hole on each arch is facing out. Lamps will snap into this hole in step 11.

4



5



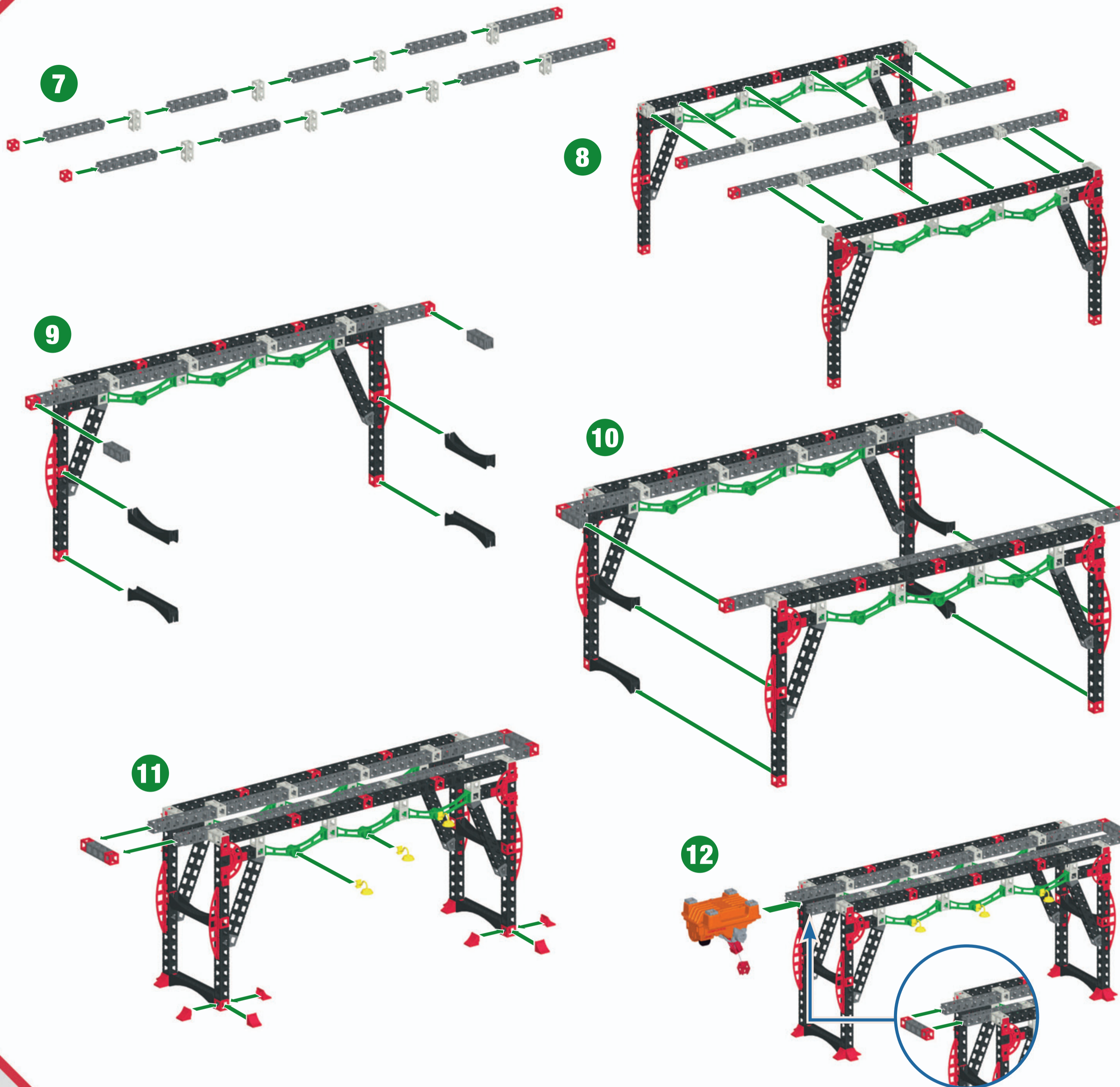
6



22x	4x	20x	2x	10x	4x	4x	1x	1x
6x	20x	4x	4x	4x	4x	4x	1x	1x
12x	5x	2x	4x	4x	6x	2x	6x	6x
1x								

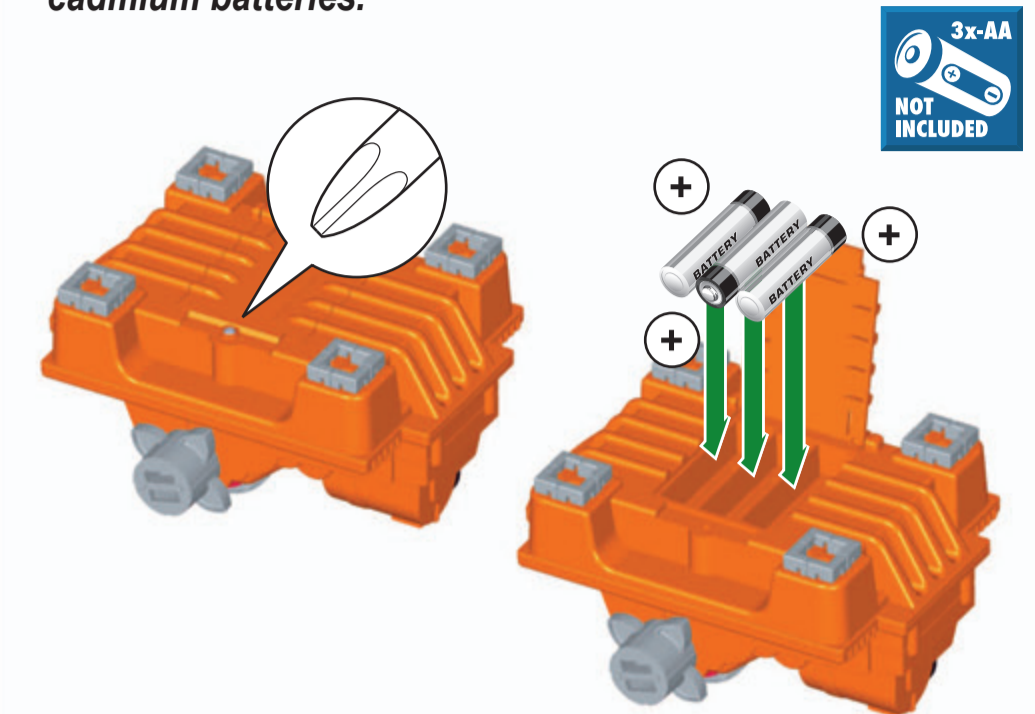
Color of building pieces may differ from those shown.





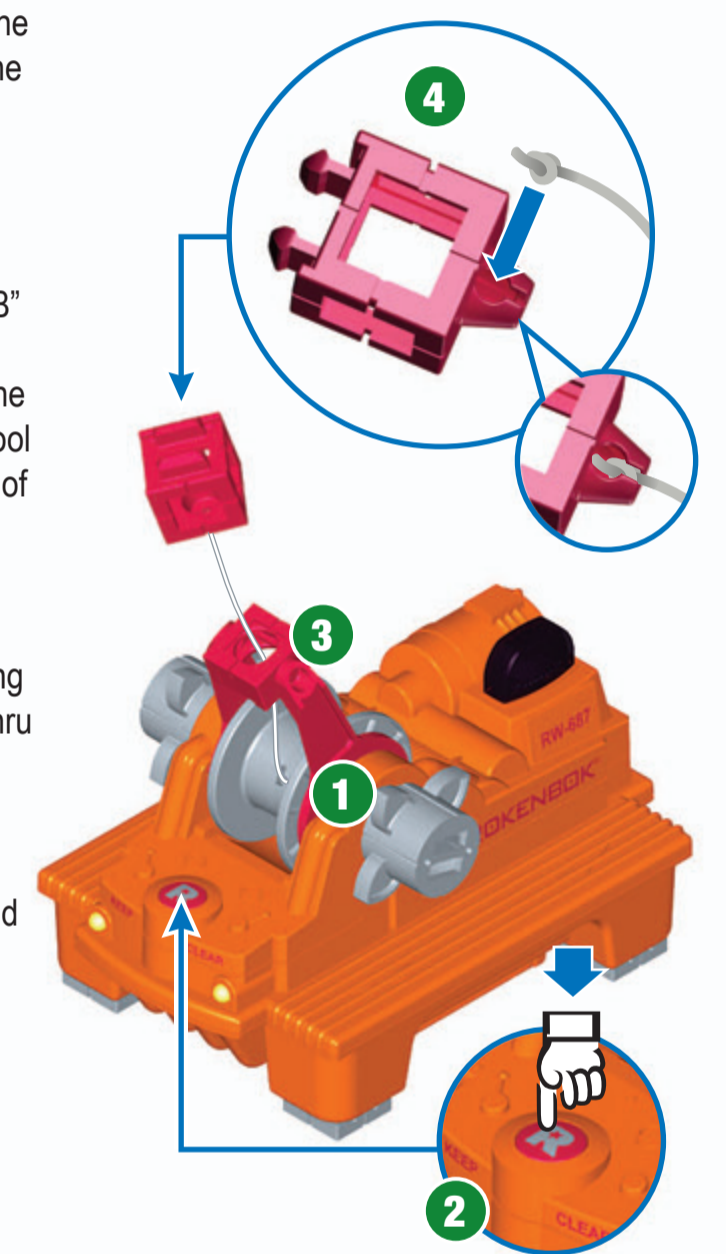
## Battery Installation and Operation

- Rokenbok recommends premium alkaline batteries for use in your Rokenbok machines.
- Batteries are to be inserted with correct polarity as shown.
- Do not mix old and new batteries.
- Do not mix alkaline, standard (carbon-zinc) or nickel cadmium batteries.



Feed string onto your X2 to create a Winch cable:

1. Insert one end of the "knotted" string into the notch on the Winch spool.
2. Power on the X2 machine. Using the "B" button on your ROK Star Controller feed the string onto the X2 spool until about six inches of string remains un-spooled.
3. Guide the remaining end of the string up thru the hole in the cable guide as shown.
4. Slip the knotted end of the string into the bottom of the Winch connector block as shown.



Press the on/off push button on your Rokenbok machine. The lights will come on and an ascending tone will be heard.

Building Plans for the Drawbridge can be found at [www.rokenbok.com](http://www.rokenbok.com)

©2010 Rokenbok Toy Company. All rights reserved. ROKENBOK® is a registered trademark of the Rokenbok Toy Company.

The Rokenbok system was created with your child's best interests in mind. All Rokenbok products are designed for high quality, precision and safety, and conform to the requirements of ASTM F963.

Lifetime warranty on Control Electronics and building components. All Rokenbok Machines are warranted against defects in material and workmanship for a period of six months from the date of original purchase when used under normal operating conditions.

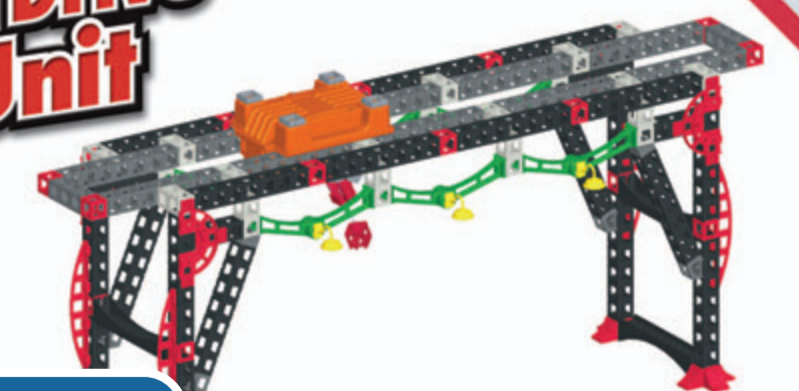
Only batteries of the same or equivalent type as recommended are to be used. Please retain this information as it contains important information regarding the use of this product. The tracking information is located on the underside of each machine. Product may vary from photography shown. For indoor use only. Made in China.

[www.rokenbok.com](http://www.rokenbok.com)

ROKENBOK Playtime well spent!

**X2 Dual Drive Power Unit**

08710  
9+



**WARNING:**  
CHOKING HAZARD.  
Toy contains small parts.  
Not for children under 3 years.

3x-AA  
NOT INCLUDED

Rokenbok Toy Company  
Solana Beach, CA (USA) Phone (858) 259-4433  
1-888-4ROKBOK (1-888-476-5265)  
e-mail: customerservice@rokenbok.com

P/N# 50-00876