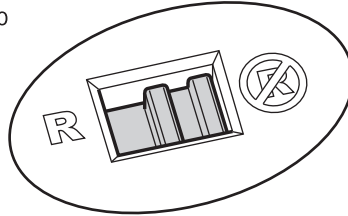


For Younger Players-Select R Disabled, Single Machine Mode

If a younger child will be playing with a single Rokenbok machine, we recommend that you disable the select feature. When the switch is in the Disabled position, the ROK Star controller will automatically link to your child's Rokenbok machine when the machine is powered on. This allows younger players to simply turn the machine on and play, and will prevent them from inadvertently deselecting the machine.



Switch in R Select Disabled Position

Move the lockout switch into the position shown below using a ballpoint pen or similar object. During power on, any ROK machine will be automatically linked to your ROK Star Controller in single machine mode.

Only Lockout the Select Function for a Younger Child using a Single Machine

ROK Star 1, 2, 3!

1. Power On

Press the on/off pushbutton on your Rokenbok machines. The lights will come on and an ascending tone will be heard.

To conserve battery life, Rokenbok machines power down automatically after 5 minutes of inactivity. The machine's lights will flash to alert you when it is about to power off. Or, you can push the on/off switch to power down anytime. You will hear a descending tone when a machine is powering down.

2. Select a Rokenbok machine

Press and hold the **R** button on the ROK Star controller and aim the red light beam at a Rokenbok machine's receiver. When a ringing chime is heard, release the **R** button and the machine is in your control!

3. Drive

ROK Star controllers communicate with Rokenbok machines with invisible light beams. The controller must be pointed in the general direction of the machine being operated.

Drive forward or back, or steer in any direction using the large directional wheel. Additional functions, like lifting or dumping, can be performed by pressing the A, B, X, or Y function buttons.

Not all machines have functions associated with all buttons. For example, the Loader and Dump Truck do not use the X/Y buttons.

Special Features

Siren: Pressing the #1 button will toggle the siren sound on or off. The siren will remain active for 5 seconds or until the button is pressed again.

Horn: Pressing the #2 button will operate the horn and flash the lights for as long as the button is held down.

Slow speed: Pressing and holding the right forefinger button while driving will slow the speed of the machine for precise maneuvering.

Flash-back control between machines: Select the first machine you want to operate using the **R** button, and then select a second machine in the same manner. You can now toggle control between the two machines by pressing the left forefinger "flash" button.

Cruise control: Holding the left forefinger button and pressing the X button momentarily will put the machine in forward cruise control mode for approximately 5 minutes. To get out of cruise control mode, either press reverse ("south") on the directional wheel or use the left forefinger and X button combination again. If the machine is left to run 5 minutes unattended it will automatically power down.

Change horn pitch: Holding the left forefinger button down and pressing the A button will change the pitch of the horn sound. Each button press will cause the tone to go lower until it reaches the lowest possible tone; then it will switch to the highest pitched tone and begin to descend again.

Back-up warning: A warning tone will be heard when backing up your Rokenbok Machines.

Mute all sounds: Holding the left forefinger button down and pressing the B button will mute all sounds. Doing this a second time will restore sounds.

Trim function for straight tracking: If your Rokenbok machine does not drive straight, this can be corrected by using the "trim" function. If the machine tracks to the left, hold the left forefinger button down and press the directional wheel "right" position. A quick chime will be heard. Try driving forward again to see if the adjustment was adequate. Repeat the procedure as many times as necessary until the machine drives straight. If the machine tracks to the right, adjust the trim in the same manner by holding the left forefinger button and pressing the compass wheel "left" position.

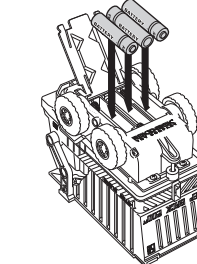
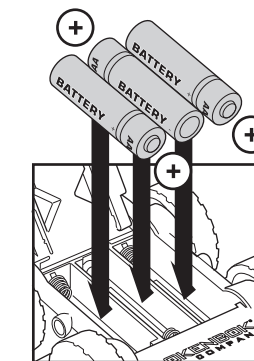
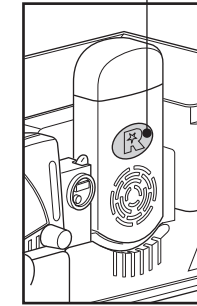
Note: After changing batteries you may need to perform this function again to establish straight tracking.

It is recommended that you power off your Rokenbok machines before replacing batteries.

Trouble Shooting

PROBLEM	CAUSE	SOLUTION
Machine will not select or will not respond to ROK Star controller commands.	Machine not powered up.	Press power on/off button on machine to turn machine on. Listen for ascending tone.
	Machine out of range.	To select, get within five feet of machine. Aim red light beam from controller directly at receiver dome on machine.
	Batteries weak.	Ensure that controller is pointed in general direction of machine and not obstructed by structures.
	Batteries weak.	Replace batteries in machine and/or ROK Star controller.
Machine moves slowly.	Batteries weak.	Replace batteries in machine and/or ROK Star Controller.
Machine runs erratically.	Interference of line-of-sight communication.	Ensure that ROK Star Controller is pointed in general direction of machine and not obstructed by too many building parts.
	Batteries weak.	Replace batteries in machine and/or ROK Star Controller.
Poor steering control.	Batteries weak.	Replace batteries in machine and/or ROK Star Controller.
No power.	Dead batteries.	Replace batteries in machine and/or ROK Star Controller.
	Incorrect battery placement.	Remove the machine and/or ROK Star batteries and replace with correct orientation, as shown inside the battery compartment.
	Machine has powered down.	Press power on/off button on machine to turn machine on. Listen for ascending tone.

ON/OFF SWITCH



Precautions and Maintenance

- For indoor use only.
- Rokenbok recommends premium alkaline batteries for use all Rokenbok machines.
- Do not mix old and new batteries.
- Batteries must be inserted with correct polarity.
- Do not mix alkaline, standard (carbon-zinc), or nickel cadmium batteries.
- Remove the batteries during long periods of non-use.
- Never leave worn out batteries in the toy. Battery leakage will damage the system.
- Do not attempt to recharge non-rechargeable batteries.
- Rechargeable batteries should be removed from the toy before being recharged. Charging of rechargeable batteries should only be done under adult supervision.
- Do not short-circuit the terminals in the battery compartment.
- Do not disassemble machines, ROK Star controller, or any of their parts.
- Do not place Rokenbok machines in sand, dirt, water, or damp areas.

INTERFERENCE

This device complies with Part 15 of the FCC Rules. Operation is subject to the following two conditions: (1) this device may not cause harmful interference, and (2) this device must accept any interference received, including interference that may cause undesired operation.

Fluorescent lights; particularly those using high frequency ballasts can interfere with the machine's ability to receive control signals and may cause reduced range of operation. Playing in an area away from this type of lighting will improve range.

ROK Star requires a clear line-of-sight between the controller and any machines being operated. Dense structures may hinder communication and cause the machine to stop responding momentarily. To remedy this simply move the controller to a position that allows line-of-sight communication.

ATTENTION PARENTS

It is recommended that you periodically examine the product for any potential hazards, and that any potentially hazardous components be repaired or replaced. If service or repair is needed, discontinue use and contact Rokenbok Customer Service.

CLEANING

- Only a clean, dry, soft cloth should be used to clean components.
- Electrical parts are not washable.
- Never use steel wool or similar abrasives on the ROK Star or machines, and never use solvents of any kind on any parts.

CAUTION - HAIR ENTANGLEMENT

Hair entanglement may result if a child's head is too close to the motorized unit of this toy.

DANGER – DO NOT USE IN WATER

To prevent electrical shock, do not immerse electrical components in water.

CAUTION

The red LED light from the ROK Star is very bright. Do not look directly at the light source, or aim it at another person's eye.

Customer Service/Warranty

CUSTOMER SERVICE

Personalized help is just a quick e-mail or phone call away! You can reach our Customer Service Department at customerservice@rokenbok.com or call 1-888-4ROKBOK (1-888-476-5265) from 8:00am to 4:30pm, Pacific Time, Monday through Friday.

WARRANTY

Rokenbok products are manufactured to meet stringent tests for quality, durability, reliability and safety. Our control electronics and building components are warranted against defects in material and workmanship for a lifetime to the original purchaser when used under normal operating conditions. All machines, mechanics and other parts are warranted against defects in material and workmanship for a period of six months from the date of original purchase when used under normal operating conditions.

During these periods, should the product fail to perform properly, Rokenbok will, at its discretion, either repair or replace it. Such repair or replacement shall be free of charge only upon presentation of a sales receipt with proof-of-purchase date sent to the Rokenbok Customer Service Department.

Call or e-mail Rokenbok Customer Service prior to returning any product for warranty repair. The purchaser is responsible for shipping the product to Rokenbok at the address indicated on the back of this document, and for all associated freight and insurance costs in connection with such shipping. Rokenbok will incur the cost of shipping the repaired or replaced item to you in the United States or Canada.

This warranty is void if the owner repairs or modifies the product in any way before shipping it to Rokenbok, and does not cover damage or injury resulting from unreasonable use, unauthorized repairs, improper care and storage, or out-of-warranty service. This warranty also excludes any liability other than that expressly stated above, and expressly excludes any incidental or consequential damages except for those states or countries that allow incidental or consequential damages.

Please retain this booklet as it contains important information regarding the use of this product.

Rokenbok Toy Company

Solana Beach, CA 92075 (USA) Phone (858) 259-4433
1-888-4ROKBOK (1-888-476-5265)
 e-mail: customerservice@rokenbok.com

www.rokenbok.com

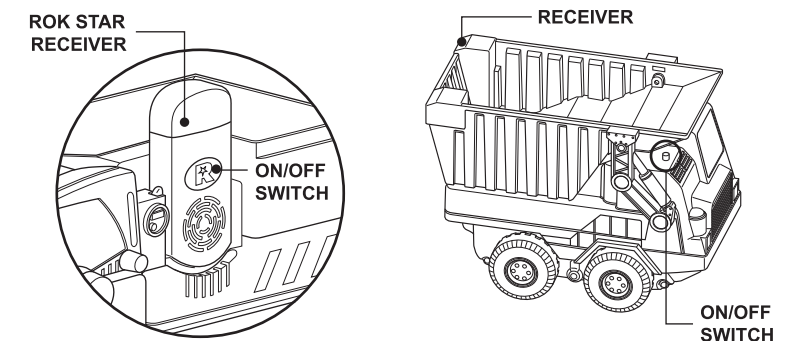
© 2010 Rokenbok Toy Company
 All rights reserved. ROKENBOK® is a registered trademark of the Rokenbok Toy Company.

P/N# 50-00817-001



ROK Star GUIDE

Each Rokenbok Machine has a Receiver and On/Off Switch



ROK Star is a unique technology that lets you:

- Control any number of Rokenbok machines with a single, wireless controller.
- Switch between vehicles on the go.
- Everyone can play! Add as many ROK Star controllers as you want.

Your Rokenbok machines and ROK Star controllers have many features, and learning how to use them is easy. For the best experience, please read this entire guide before beginning play.

Before you begin play

Ensure that batteries are properly installed in your Rokenbok machines and ROK Star controllers.

