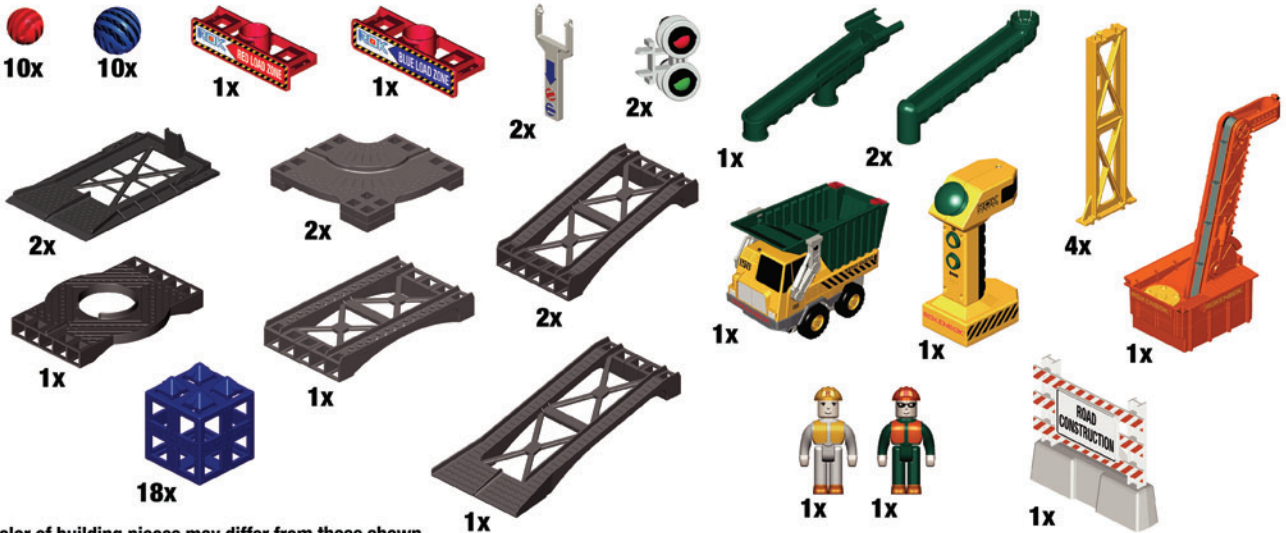
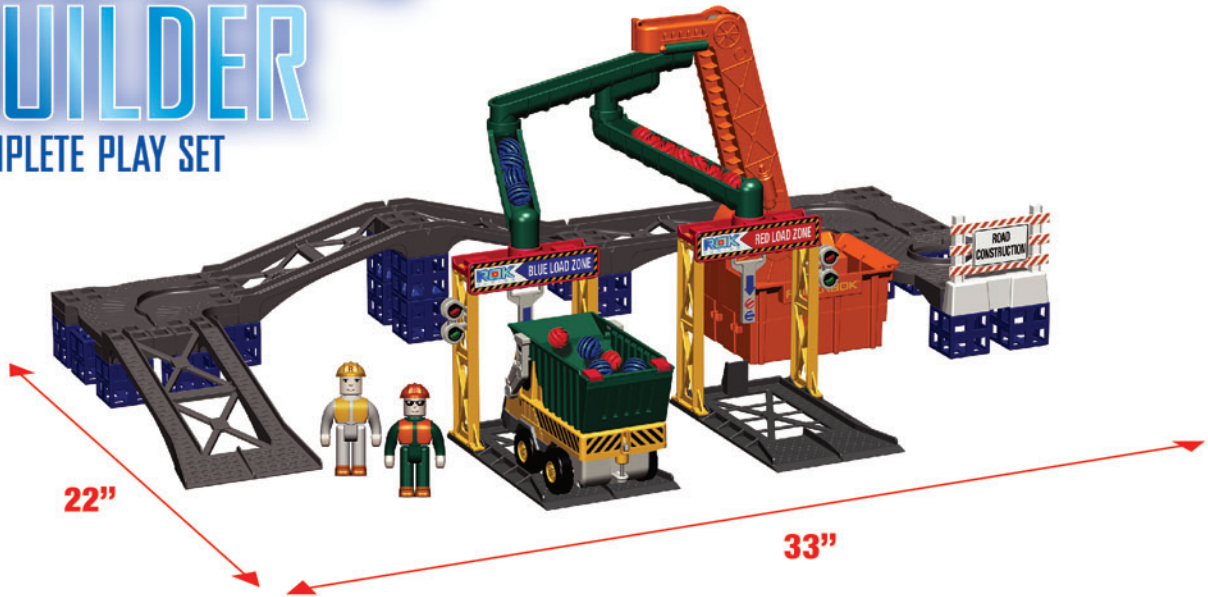


# ROK JUNIOR

## BEGINNING BUILDER

COMPLETE PLAY SET

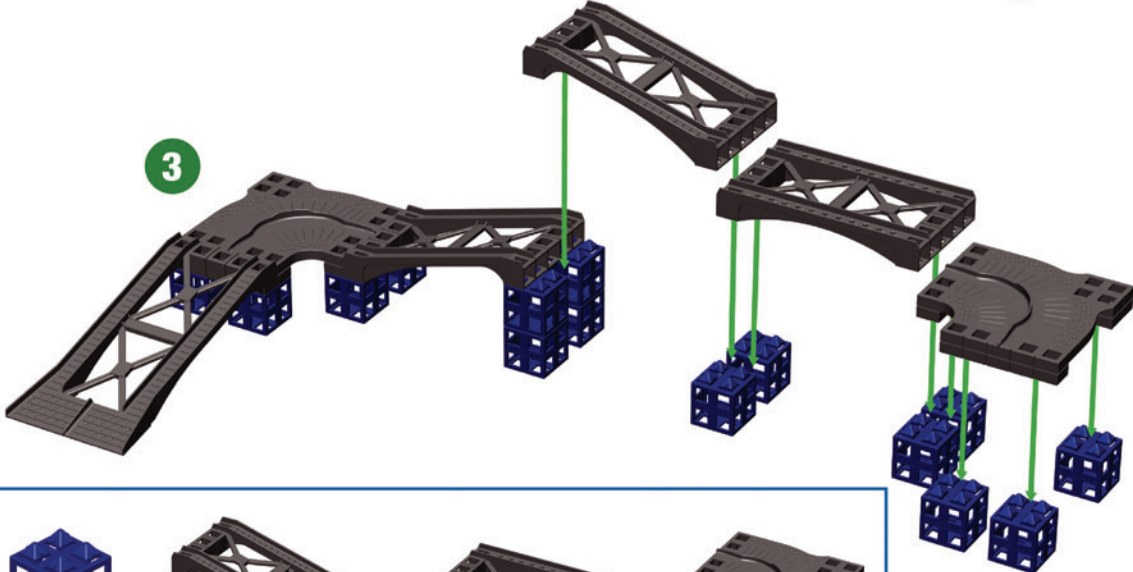
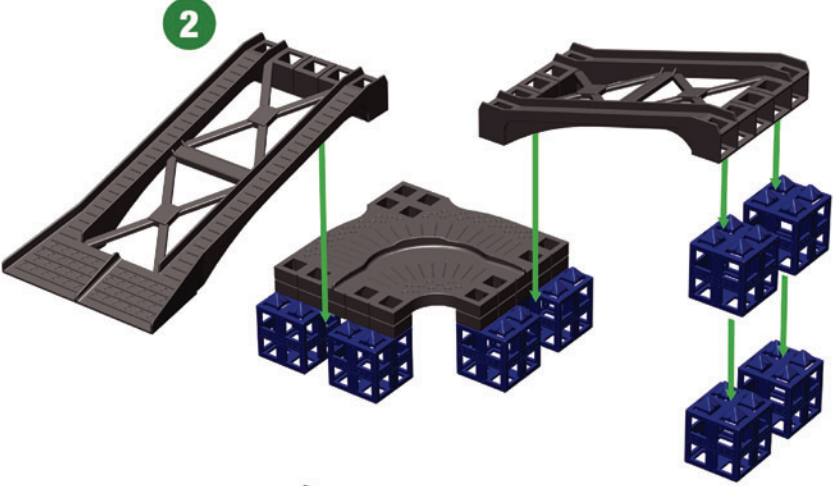
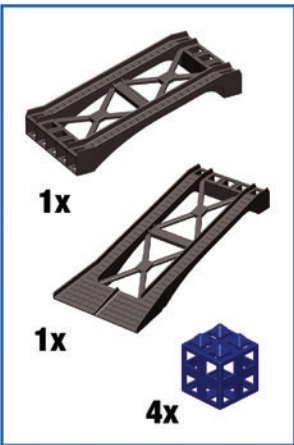
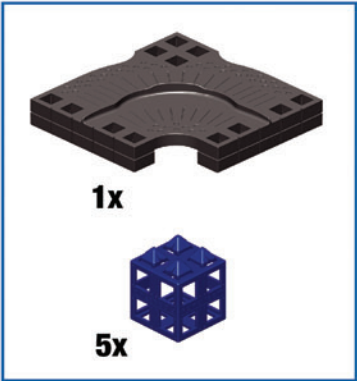


Color of building pieces may differ from those shown.

**WARNING:**  
CHOKING HAZARD.  
Toy contains small parts and small balls. Not for children under 3 years.

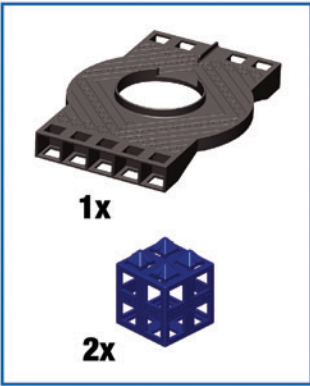
9x-AA  
NOT INCLUDED

4+

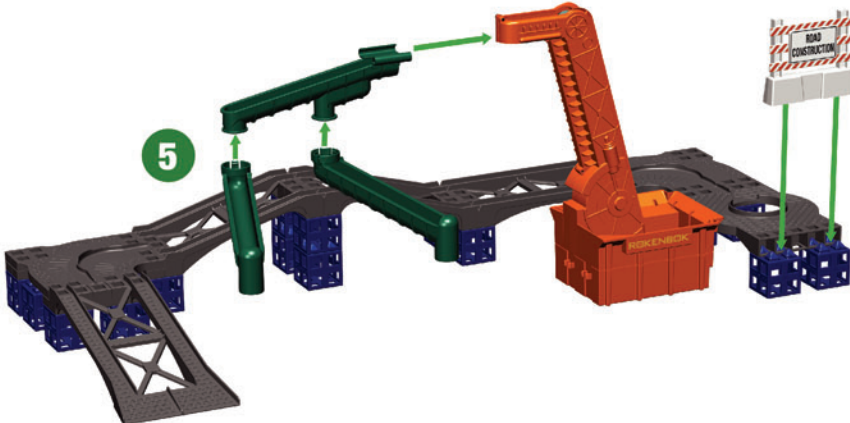




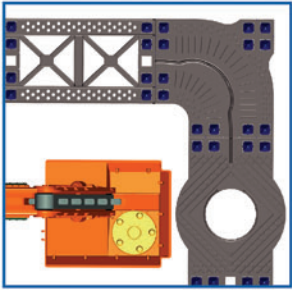
4





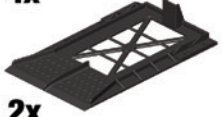
5

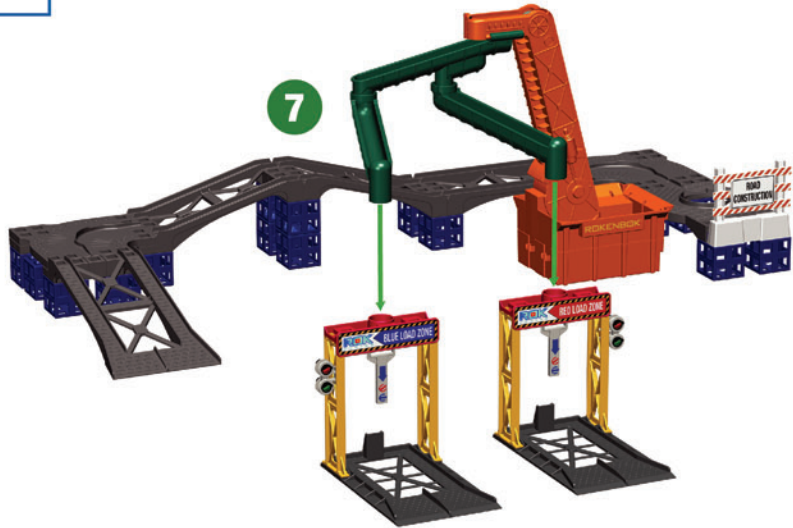
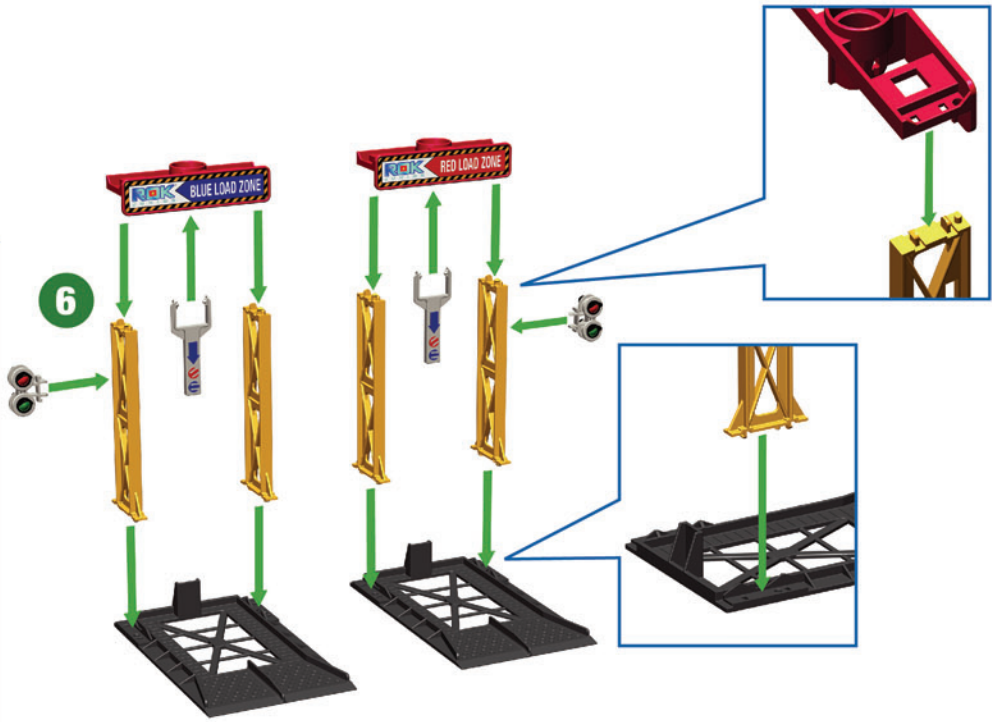


Overhead View



*Note: Please place the conveyor next to the turnaround section as shown.*

-  1x
-  1x
-  4x
-  2x
-  2x
-  2x

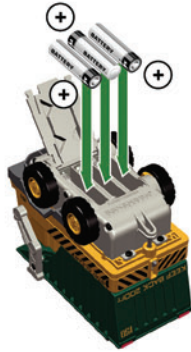




## Battery Installation and Operation

- Rokenbok recommends premium alkaline batteries for use in your Rokenbok products.
- Batteries are to be inserted with correct polarity as shown.
- Do not mix old and new batteries.
- Do not mix alkaline, standard (carbon-zinc) or nickel cadmium batteries.

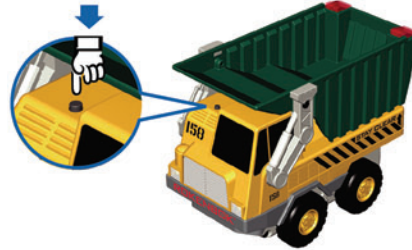
### Dump Truck



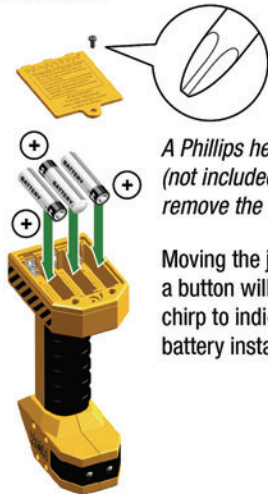
Turn-on the vehicle by pressing the black button on the cab. The unit's headlights will illuminate.

The vehicle can be turned-off by pressing the black button again, or will automatically power-down after five minutes of non-use.

To re-start the vehicle, press the black button.



### Controller



A Phillips head screwdriver (not included) is required to remove the battery cover.

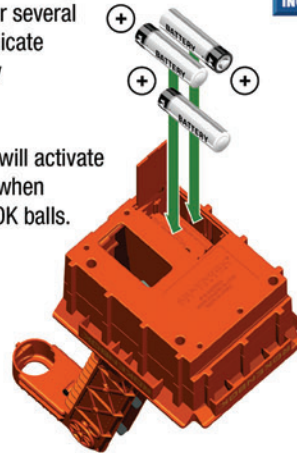
Moving the joystick or pressing a button will emit an audible chirp to indicate correct battery installation.



### Conveyor

Your Motorized Conveyor will activate for several sections to indicate correct battery installation.

The Conveyor will activate automatically when loaded with ROK balls.



### Operation

Use the joystick to control the vehicle's direction.

Push the UP arrow to dump ROK balls. Push the DOWN arrow to return the dump bed to its original position.

For optimal control, aim the controller at the red tail lights at the back of the vehicle while driving.

